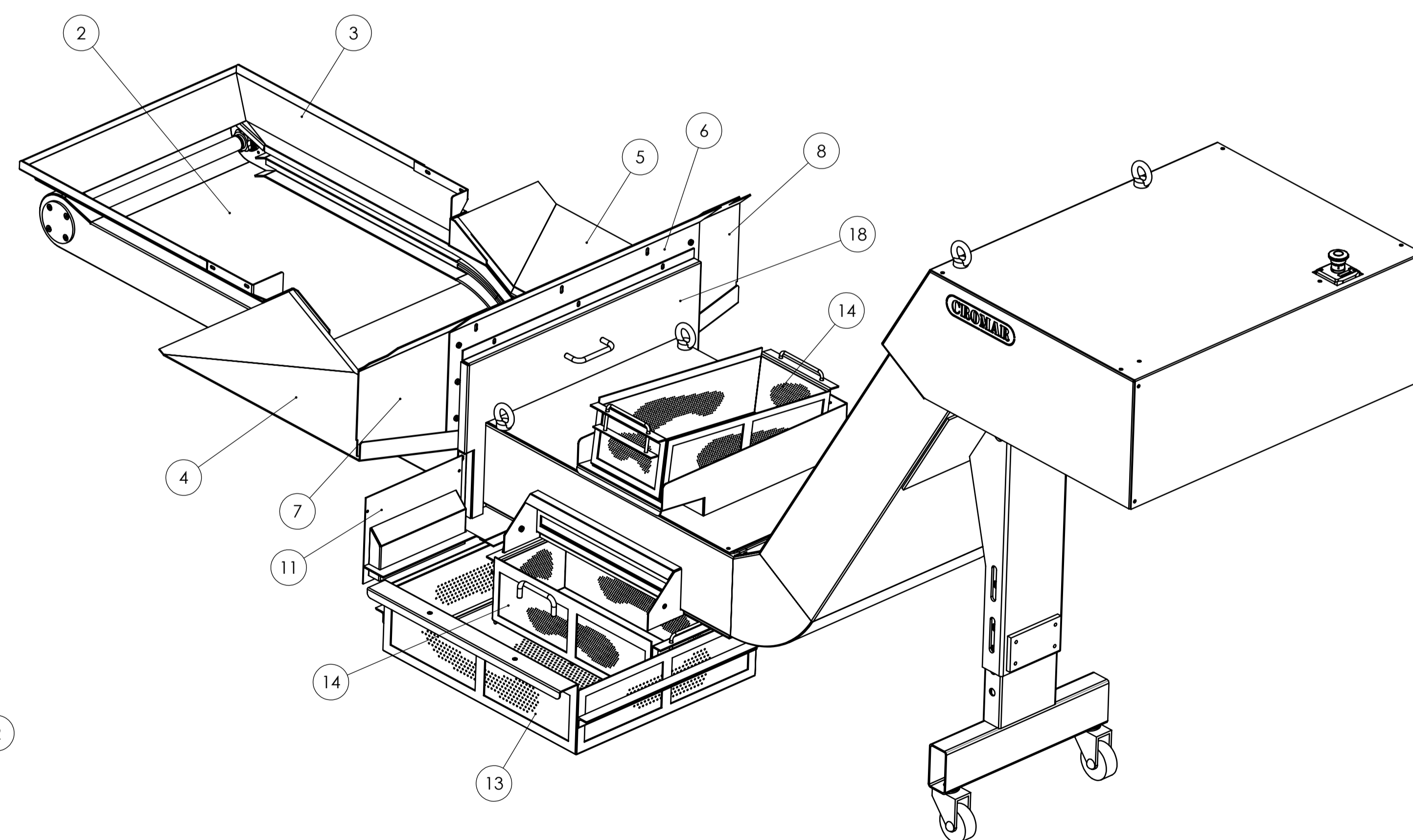
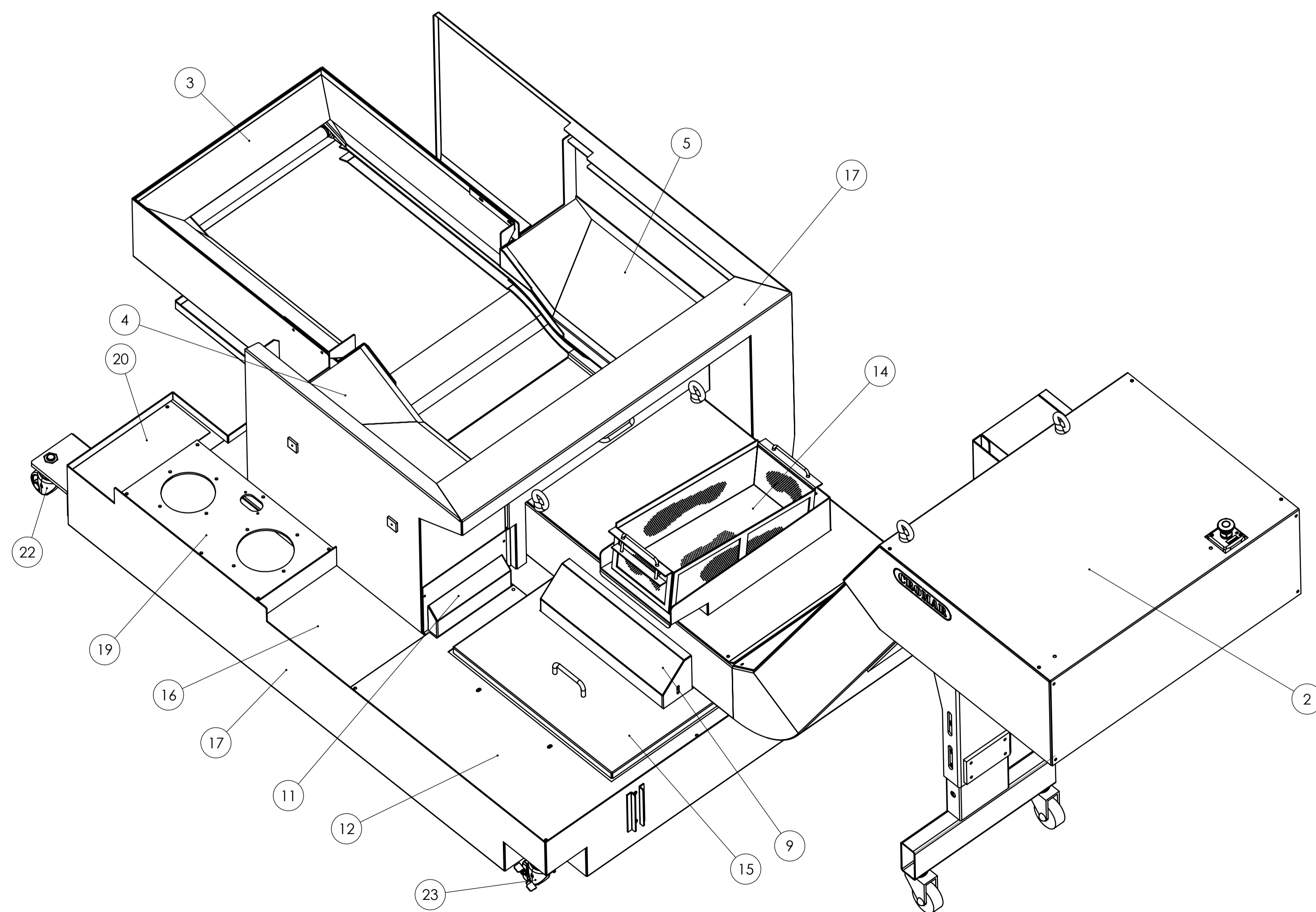
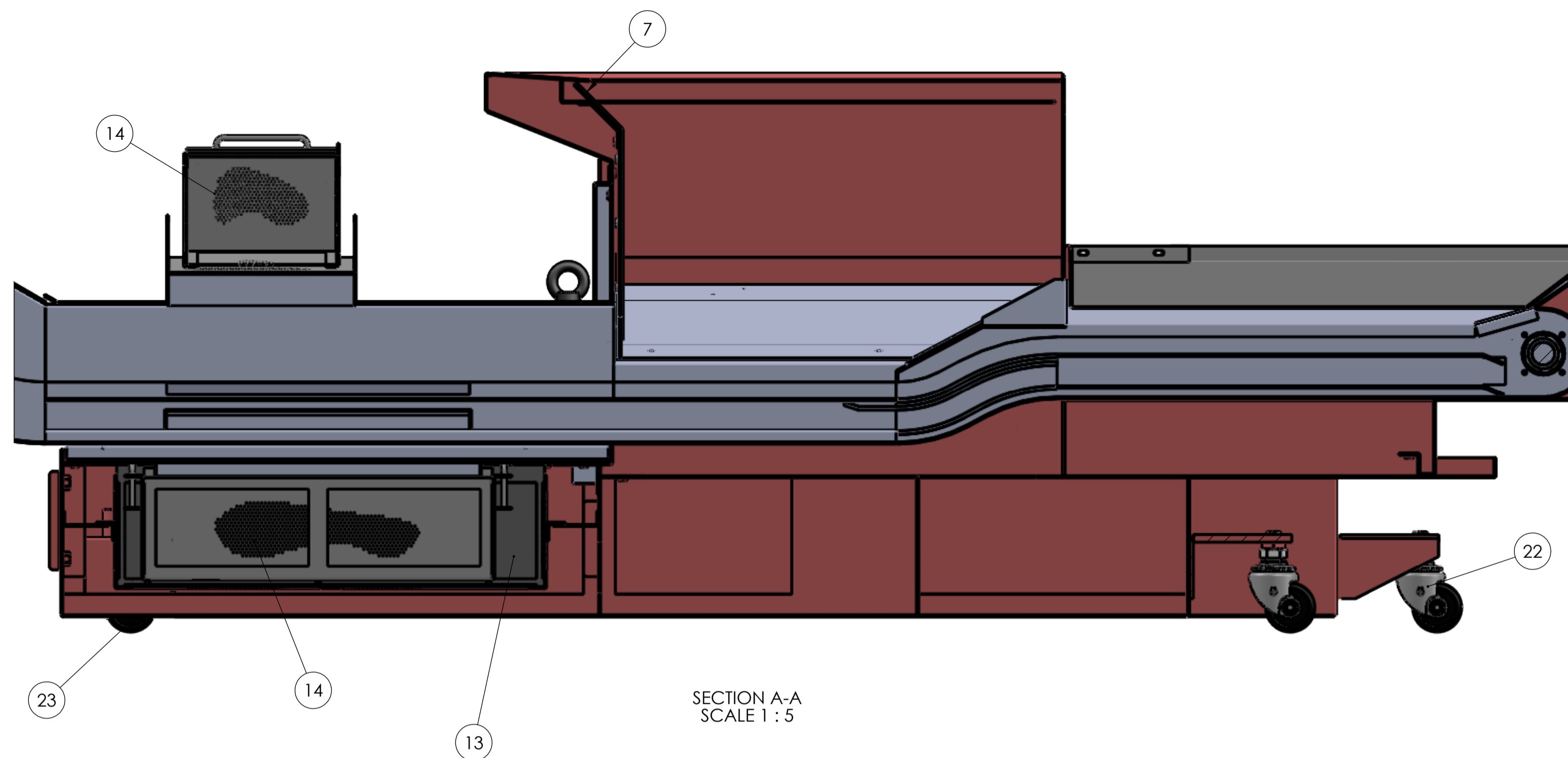
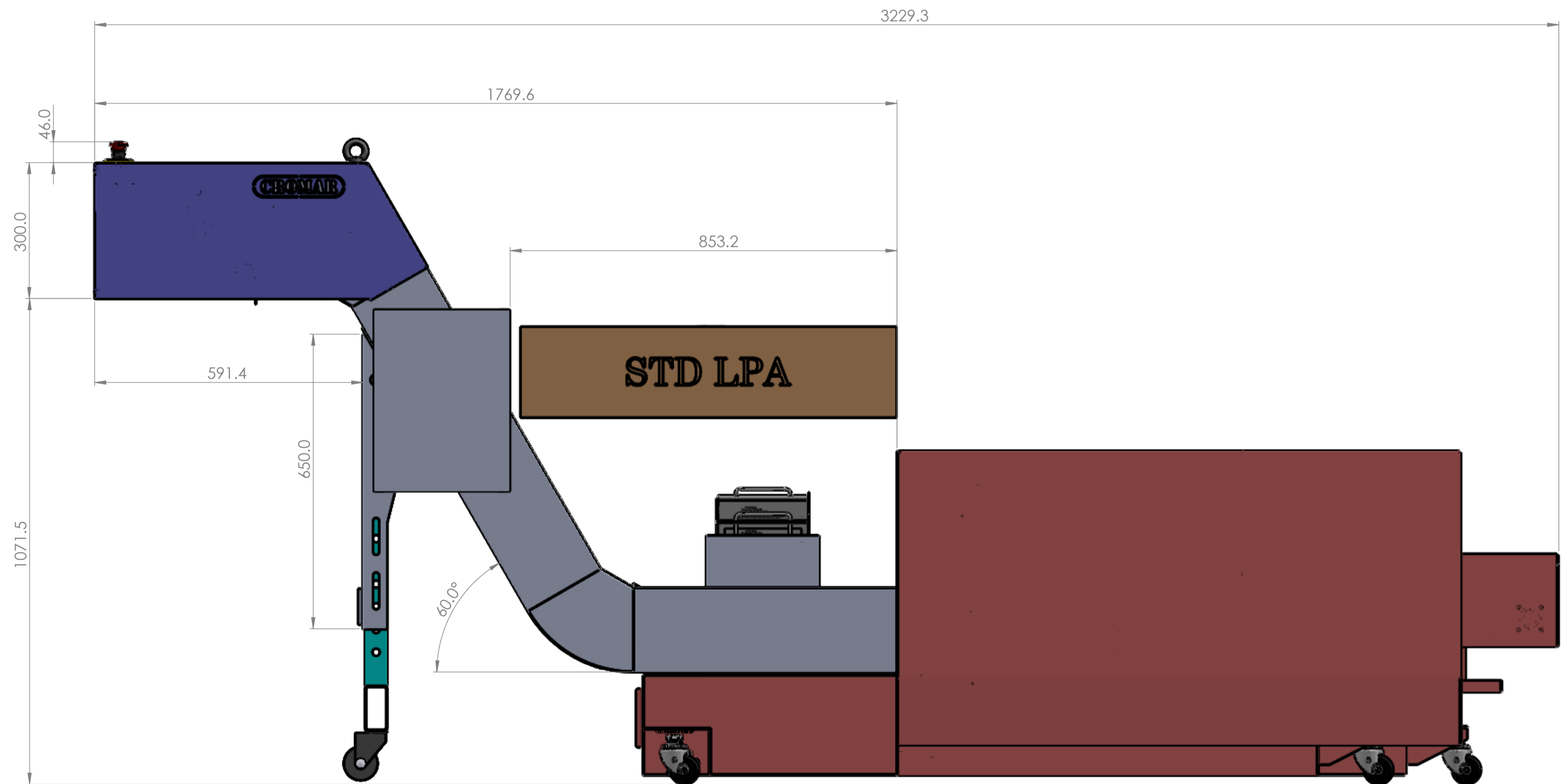
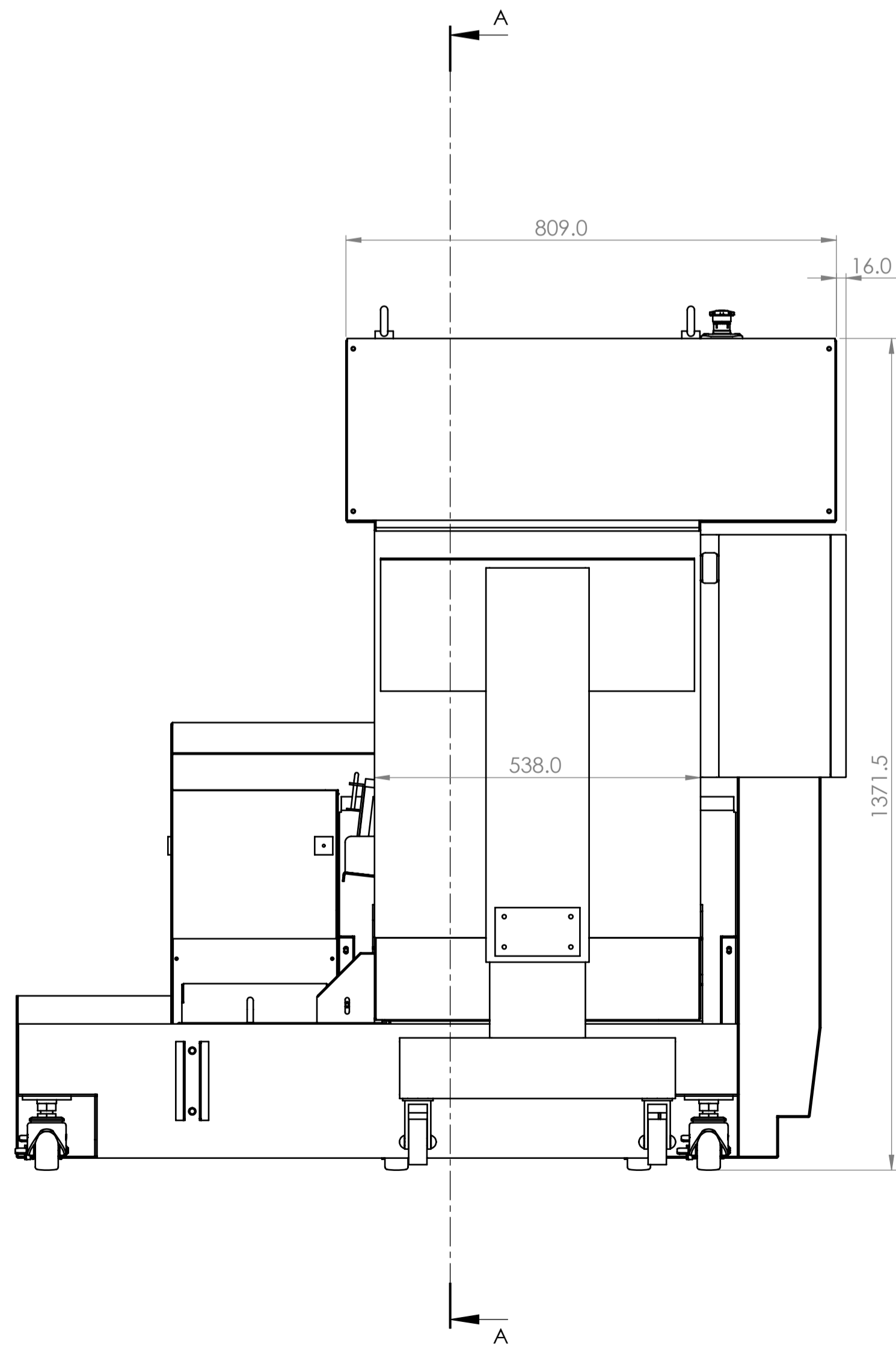
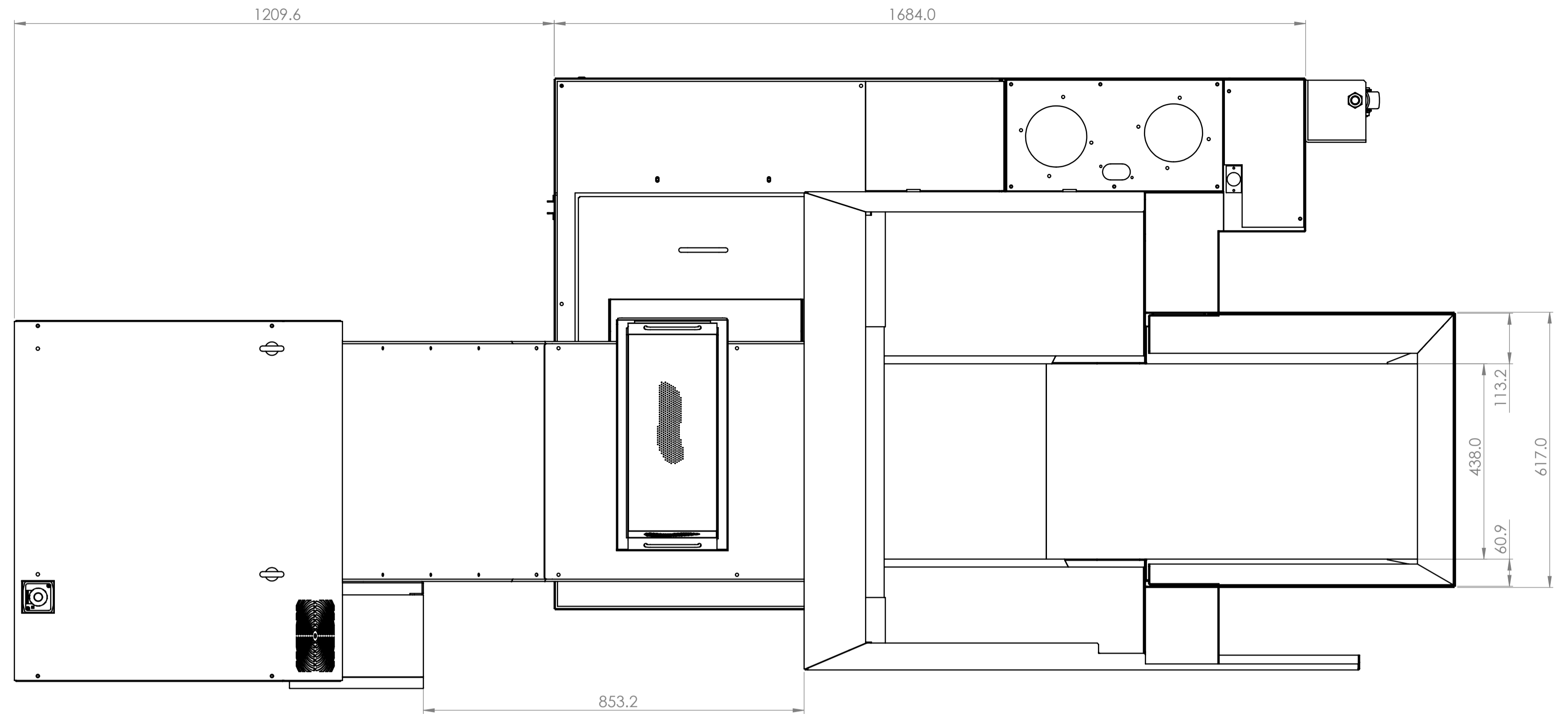
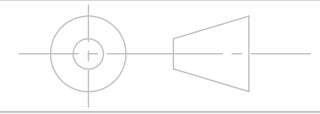


ITEM NO.	PART NUMBER	Issue	DESCRIPTION	QTY.	COMMENTS / INSTRUCTIONS
1	38612970		Chrome Handle - Eleso GN-26511	2	
2	S4930-01	A	1.5" P Hinged Belt Conveyor	1	
3	S4930-101	A	Loose Return End Chute	1	
4	S4930-102	A	LH Horizontal Chute	1	
5	S4930-103	A	RH Horizontal Chute	1	
6	S4930-104	A	Tunnel End Centre Chute	1	
7	S4930-105	A	Tunnel End LH Chute	1	
8	S4930-106	A	Tunnel End RH Chute	1	
9	S4930-107	A	Drain Slot Cover	1	
10	S4930-110	A	Tank Top Plt	1	
11	S4930-111	A	Tank Opening Cover	1	
12	S4930-112	A	Tank Top Plt	1	
13	S4930-113	A	3Dia Perf Box	1	
14	S4930-114	A	1 Dia Filter Box	2	
15	S4930-115	A	Filter Box Cover	1	
16	S4930-116	A	Tank Top Plt	1	
17	TK4930-100	A	Tank Fabrication Kit	1	
18	TK4930-101	A	Tank Door Cover	1	
19	TK4930-104	A	Pump Plate	1	
20	TK4930-106	A	Rear Tank Top Plt	1	
21	ZS1443-01	A	Leg Lifting Pad	1	
22	173-1003sw	A		3	
23	173-1004sw	A		2	
24	Standard LPA			1	



<b>FREDERICK CROWTHER &amp; SON LTD</b>		<b>Title: Conveyor and Tank with Basket Filtration</b>		Initial Drawing	05/03/2019	A
LOCKESLEY WORKS, ARMYTAGE ROAD INDUSTRIAL ESTATE, BRIGHOUSE, WEST YORKSHIRE, HD6 1QF T: 01484 400200 F: 01484 728088		CROMAR		Modification Description	Date	Rev
M/c Ref: Citizen D25		Drn: KB	Sht: 1 of 2	Scale: A1	Drn Date: 05/03/2019	Rev: A
Material:		1:7.5 File Name: S4930-001				



FREDERICK CROWTHER & SON LTD



LOCKSLEY WORKS, ARMYTAGE ROAD, INDUSTRIAL ESTATE, BRIGHOUSE, WEST YORKSHIRE, HD6 1QF  
T: 01484 400200 F: 01484 728088

Title: Conveyor and Tank with Basket Filtration

M/c Ref: Citizen D25

Drn: KB Sht: 2 of 2 Size A1 Scale: Drn Date: 05/03/2019 Rev: A

Material:

1:7.5 File Name: S4930-001